

6

5

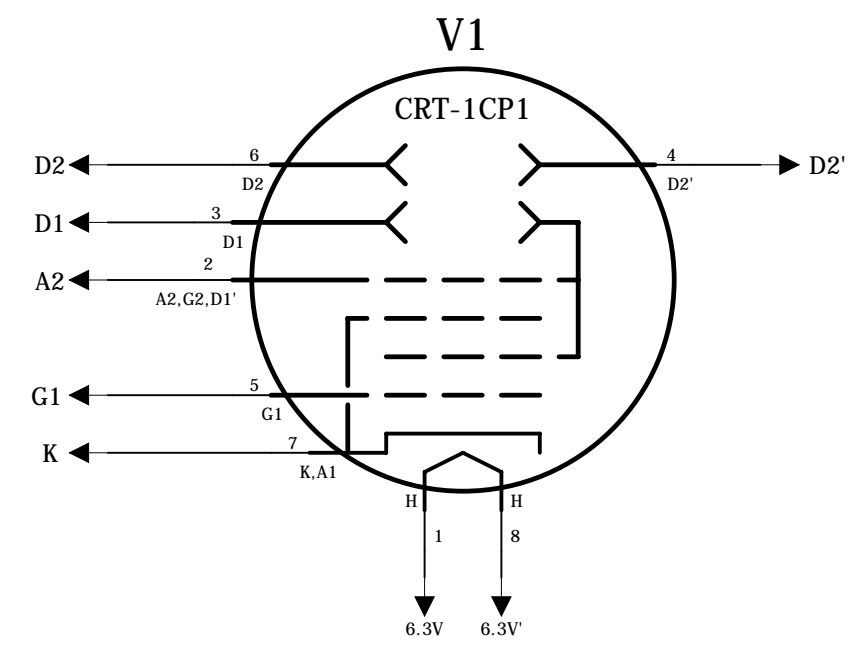
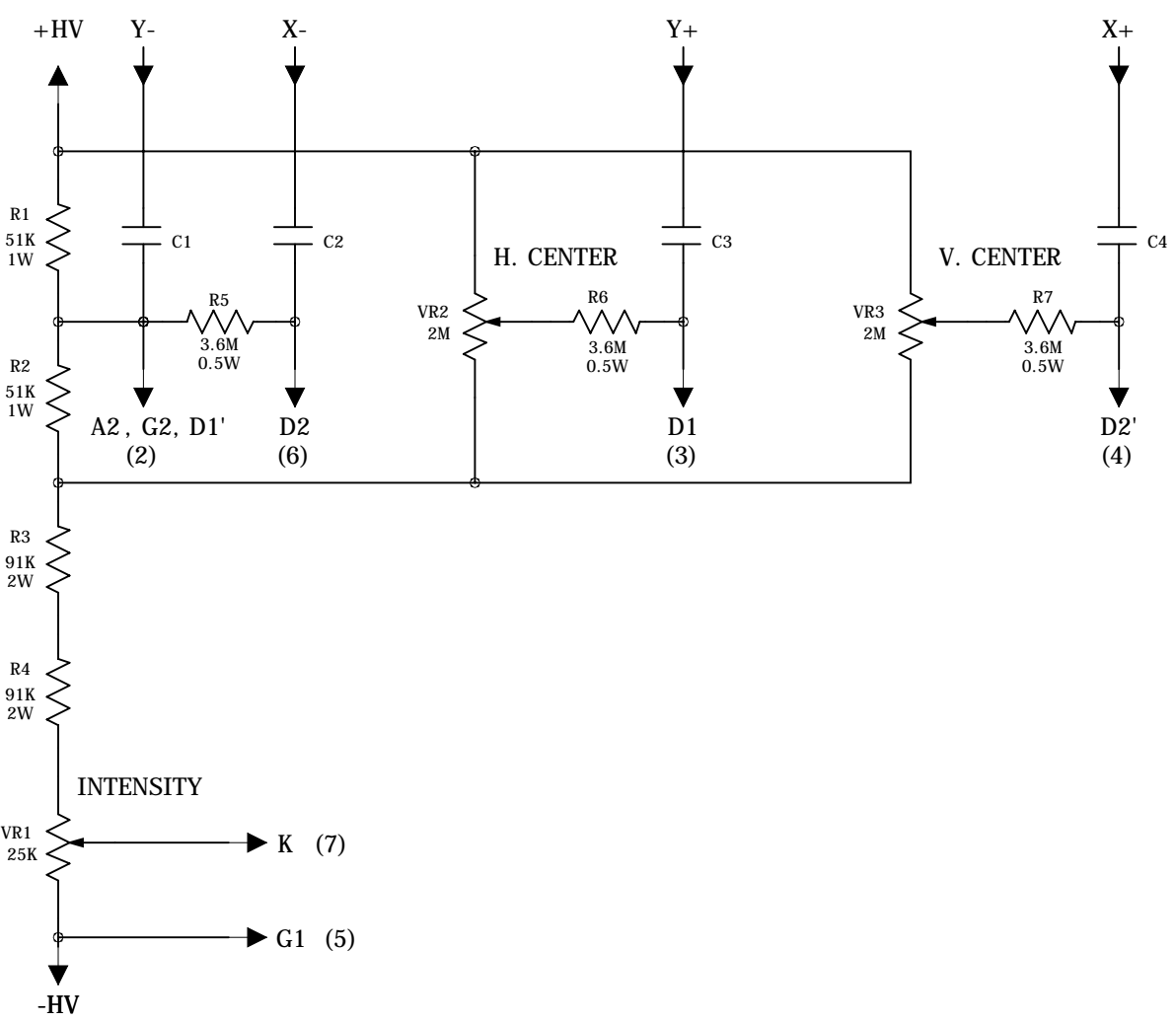
4

3

2

1

REVISION RECORD			
LTR	ECO NO:	APPROVED:	DATE:



**Bill Of Materials:**

- C1 - C4 - 0.05uF, 900V NP
- R1, R2 - 51K, 1W
- R3, R4 - 91K, 2W
- R5, R6, R7 - 3.9M, 1/2W
- VR1 - 25K, 1 TURN
- VR2, VR3 - 2M, 1 TURN
- V1 - COSSAR 1CP1 (DH3-91)

COMPANY: LABGUY'S WORLD DOT COM			
TITLE: MILLEN 90901			
DRAWN: R. DIEHL	DATED: 20150209		
CHECKED:	DATED:	CODE: 0	REV: A
QUALITY CONTROL:	DATED:	SIZE: B	DRAWING NO: 666-001
RELEASED:	DATED:	SHEET: 1 of 1	